

# Cobalt-60

## Gamma Sources

Metal cylinders of cobalt-60 encapsulated in welded stainless steel capsules.

Nominal activity*		Product code
MBq	mCi	X38/6
37 x 10 <sup>3</sup>	1000	CKUMZ001
74 x 10 <sup>3</sup>	2000	CKUMZ002
111 x 10 <sup>3</sup>	3000	CKUMZ003
148 x 10 <sup>3</sup>	4000	CKUMZ004
185 x 10 <sup>3</sup>	5000	CKUMZ005

\*Tolerance +25%, -10%

**Recommended working life:** 15 years

### Quality Control

Wipe test A

Bubble test D

For sources of higher activity and for remote source handling equipment please see the Sentinel Gamma Radiography products catalog.

\*Tolerance ±10%

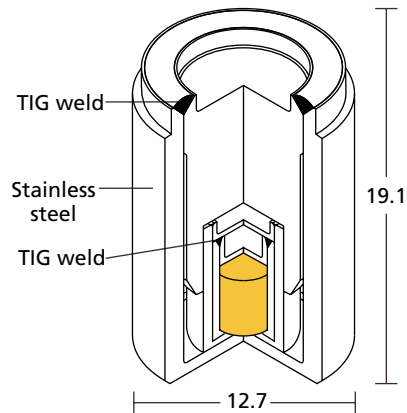
### Quality Control

Immersion test L

Bubble test D

Recommended working life: 15 years

### X.38/6



## Safety performance testing

ANSI/ISO classification	IAEA special form	Model no.
C66646	GB/371/S-85	CKC.P1
	X2163 Capsule SFC	

# Cobalt-60

## Gamma Sources

Metal cylinders of cobalt-60 encapsulated in welded stainless steel capsules.

Nominal activity*		Product code
MBq	mCi	
3.7	0.1	CKC.6001
18.5	0.5	CKC.6002
37	1	CKC.6003
74	2	CKC.6004
110	3	CKC.6005
185	5	CKC.6006
300	8.1	CKC.6007
370	10	CKC.6008
550	15	CKC.6009
740	20	CKC.6010
925	25	CKC.6011
1.11 x 10 <sup>3</sup>	30	CKC.6012
1.5 x 10 <sup>3</sup>	40	CKC.6013
1.85 x 10 <sup>3</sup>	50	CKC.6014
2.20 x 10 <sup>3</sup>	60	CKC.6015
2.80 x 10 <sup>3</sup>	75	CKC.6016
3.70 x 10 <sup>3</sup>	100	CKC.6017
5.50 x 10 <sup>3</sup>	150	CKC.6018
7.40 x 10 <sup>3</sup>	200	CKC.6019
9.25 x 10 <sup>3</sup>	250	CKC.6020
11.1 x 10 <sup>3</sup>	300	CKC.6021
15 x 10 <sup>3</sup>	400	CKC.6022
18.5 x 10 <sup>3</sup>	500	CKC.6023

For sources of higher activity and for remote source handling equipment please see the Sentinel Gamma Radiography products catalog.

\*Tolerance ±10%

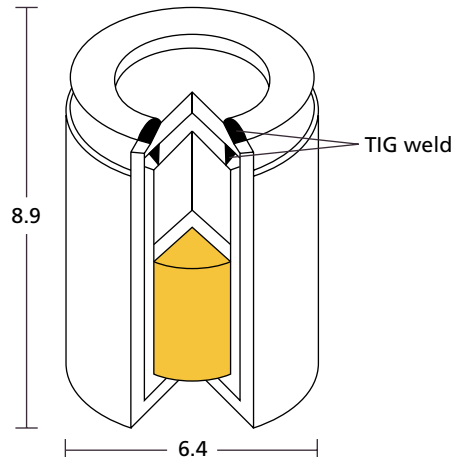
### Quality Control

Immersion test L

Bubble test D

**Recommended working life:** 15 years

### VZ-260/2



### Safety performance testing

ISO classification	Model no.
C64444	CKC.P4