

# Promethium-147

## Beta Sources

### Line Sources

Promethium-147 incorporated in an enamel, mounted in a metal plated brass holder with titanium window over the active area, capsule type VZ-1590.

Nominal activity*		Active diameter		Overall dimensions		Code
GBq	mCi	Length mm	Width mm	Length mm	Width mm	
25	676	50	3	63	13	PHCB.1861

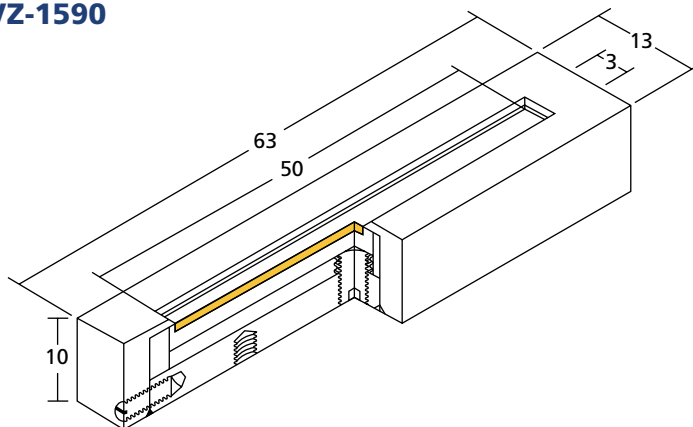
\*Tolerance -10, +25%

**Recommended working life:** 5 years

### Quality Control

Wipe test A

### VZ-1590



### Safety performance testing

ISO classification	Model no.
C33222	PHC.C2

# Promethium-147

## Beta Sources

### Disc Sources

Promethium-147 incorporated in an enamel, mounted in a brass holder with 5µm titanium window, glued with heat resistant adhesive.

**Note:** Max Act = 2Ci per amendment

Nominal activity*		Active diameter mm	Overall diameter mm	Code
GBq	mCi			
7.4	200	15.6	22	PHC.80952
18.5	500	15.6	22	PHC.80955

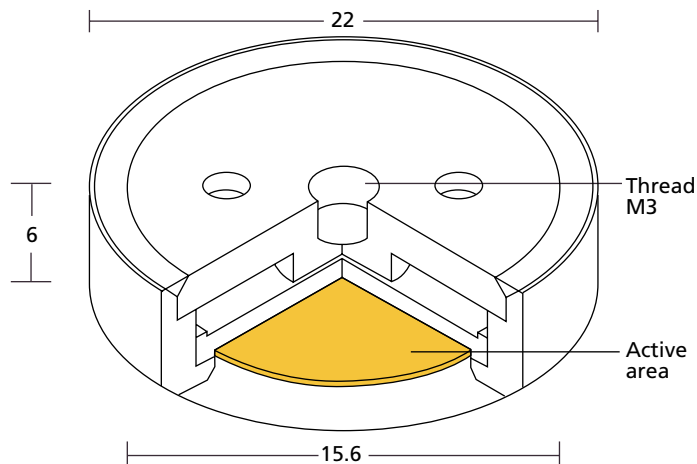
\*Tolerance -10, +25%

**Recommended working life:** 5 years

### Quality Control

Wipe test A

### VZ-464



### Safety performance testing

ISO classification	Model no.
C33222	PHC.C1